

HTT-400-128 Multi-Turn Transducer Spec. Sheet

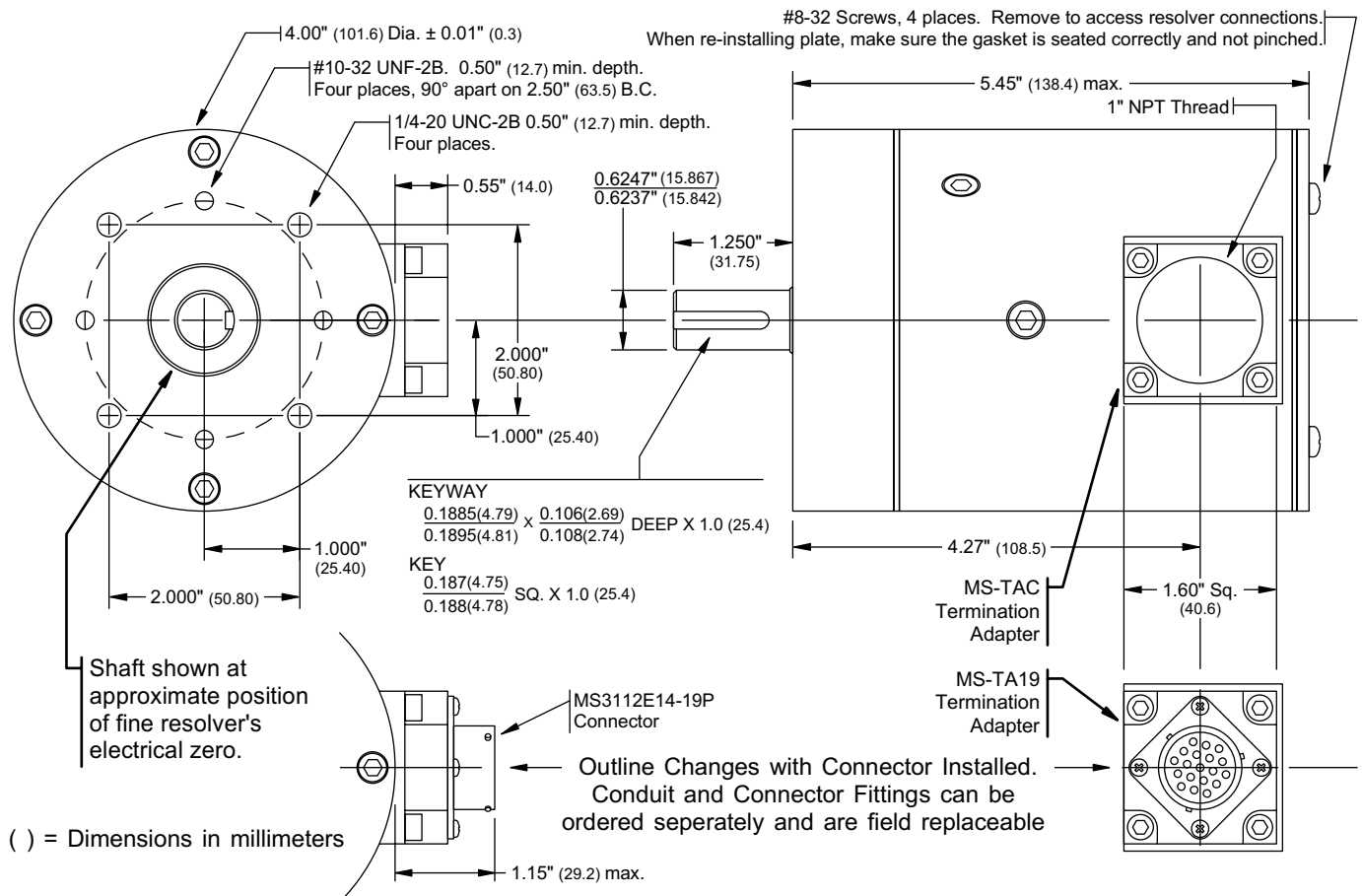
SHEET # 940-2T781

DESCRIPTION

Designed as a direct replacement for AVG/Autotech Controls RL-210 transducers, these products are designed to ease installation change over when converting from AVG/Autotech to AMCI control systems. The HTT-400-128's are absolute 128 turn transducers with the mechanical dimensions and bolt pattern of the AVG/Autotech RL210's. The HTT-400-128's can be ordered with a one inch conduit fitting or an MS3112E-14-19P military connector, and these terminations are interchangeable and field replaceable. In addition to termination flexibility, the HTT-400-128's can be ordered with a variety of resolvers to match your control system. See page 2 of this spec sheet for a complete part number breakdown.

For AMCI users, the HTT-400-128's offers the advantage of a multi-turn transducer with a conduit fitting. With proper installation, this completely eliminates the possibility of liquid contaminants entering the transducer cable. AMCI's standard bolt pattern is also on the front of the transducer so mounting brackets designed for our HTT-20 transducers may be used with the HTT-400-128's without modification. Many AMCI controllers can be configured to work with AVG/Autotech transducers. When ordering one of the HTT-400-128's for use with these controllers, the transducer should be ordered with AVG/Autotech compatible resolvers to ensure proper operation.

DIMENSIONAL DRAWING



HTT-400-128 Multi-Turn Transducer Spec. Sheet

SPECIFICATIONS

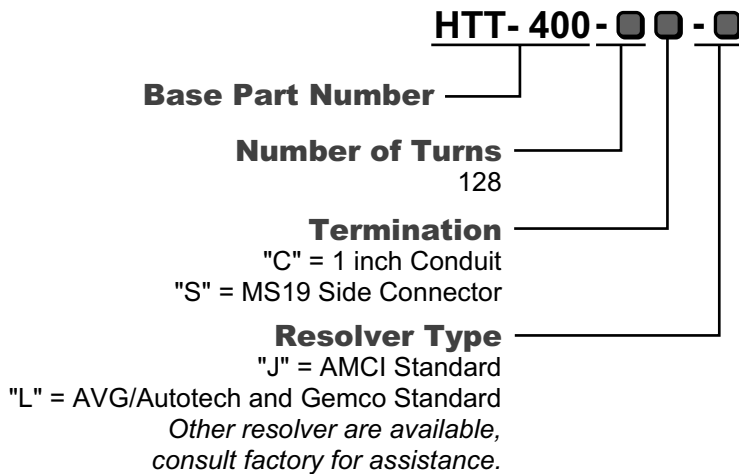
Mechanical

Shaft Loading: Radial: 100 lbs. max.
Axial: 50 lbs. max.
Bearing life rated at $2X10^9$ revolutions
minimum at specified shaft load.
Starting Torque: 8 oz.in. @ 25°C
Moment of Inertia: 8.75 oz-in-sec² max.
Weight: 5.25 lbs

Environmental

Shock: 50 g's for 11 milliseconds
Vibration: 15 g's to 2000 Hz
Operating Temp: -20 to 125°C
Enclosure: IP64 when conduit properly
sealed.

PART NUMBERING SYSTEM



A cable for the HTT-400-128's with an MS3112E-14-19P connector can be ordered from AMCI. The mating connector is preinstalled and connections are factory tested. The AMCI part number is CML-xxx/MS19, where 'xxx' is the length in feet.

Termination Adapters can be ordered under the following part numbers:

MS-TAC: 1" Conduit Termination Adapter

MS-TA19: MS-19 Termination Adapter

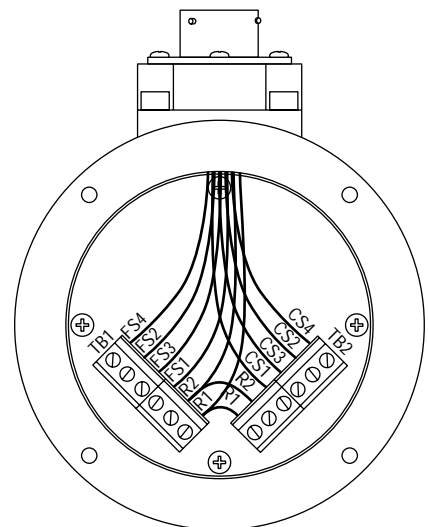
CHANGING TERMINATION ADAPTERS

When using the MS-TAC, start by removing the back plate of the HTT-400 transducer. Mount the MS-TAC on the transducer and feed you cable through the conduit fitting. Wire your cable to the transducer's terminal block and replace the back plate.

When using the MS-TA19, start by removing the back plate of the HTT-400 transducer. Mount the MS-TA19 on the transducer, feeding the wires of the MS25 connector into the transducer. Connect these wires to the transducer's terminal block and replace the back plate.

Wires on the MS-TA19 are labeled by pin number. Use the table below to wire the MS-TA19 to the HTT-400's terminal block.

TB1	Pin	TB2	Pin
R1	A	R1	A
R2	B	R2	B
FS1	H	CS1	C
FS2	K	CS2	D
FS3	L	CS3	E
FS4	M	CS4	F



**MS-TA19 Installation
(Rear Cover Removed)**