
Product Overview

The ME15 Magnetic Encoder is the newest addition to AMCI's Encoder product line. The encoder is designed for lower resolution and lower cost applications and provides 10 bits of resolution. The user has a choice either a SSI or 0 to 20mA, 4 to 20mA, 0 to 5V or 0 to 10V analog output. ME15's small size, high reliability, IP67 protection rating and low cost, make it an ideal replacement for potentiometers and small industrial encoders. Sturdy machined housing and a high resistance to shock and vibration also make these encoders better able to withstand difficult environmental conditions.

ME15 has two major components: A small diametrically polarized magnet and a custom ASIC which contains an array of Hall sensors that generate a voltage when exposed to a magnetic flux field. The ASIC detects the change in magnetic flux distribution as the magnet rotates above it delivers a voltage representing its angular position. The ASIC cancels magnetic interference permitting it to operate in areas of high external fields. The encoder's electronics features a programmable device for converting the signals to a SSI-compatible bit stream.

The encoder is housed in an IP67 Size15 (1.5" dia) servo mount body with two options for shaft sizes - 1/4" and 6mm, and two options for connections – through a 7-pin connector or built-in cable with flying leads of various lengths.



General Information

Important User Information

The products and application data described in this manual are useful in a wide variety of different applications. Therefore, the user and others responsible for applying these products described herein are responsible for determining the acceptability for each application. While efforts have been made to provide accurate information within this manual, AMCI assumes no responsibility for the application or the completeness of the information contained herein. Throughout this manual the following two notices are used to highlight important points.

WARNINGS tell you when people may be hurt or equipment may be damaged if the procedure is not followed properly.

CAUTIONS tell you when equipment may be damaged if the procedure is not followed properly. No patent liability is assumed by AMCI, with respect to use of information, circuits, equipment, or software described in this manual. The information contained within this manual is subject to change without notice. **UNDER NO CIRCUMSTANCES WILL ADVANCED MICRO CONTROLS, INC. BE RESPONSIBLE OR LIABLE FOR ANY DAMAGES OR LOSSES, INCLUDING INDIRECT OR CONSEQUENTIAL DAMAGES OR LOSSES, ARISING FROM THE USE OF ANY INFORMATION CONTAINED WITHIN THIS MANUAL, OR THE USE OF ANY PRODUCTS OR SERVICES REFERENCED HEREIN.**

Standard Warranty

ADVANCED MICRO CONTROLS, INC. warrants that all equipment manufactured by it will be free from defects, under normal use, in materials and workmanship for a period of [18] months. Within this warranty period, AMCI shall, at its option, repair or replace, free of charge, any equipment covered by this warranty which is returned, shipping charges prepaid, within one year from date of invoice, and which upon examination proves to be defective in material or workmanship and not caused by accident, misuse, neglect, alteration, improper installation or improper testing. The provisions of the "STANDARD WARRANTY" are the sole obligations of AMCI and excludes all other warranties expressed or implied. In no event shall AMCI be liable for incidental or consequential damages or for delay in performance of this warranty.

Returns Policy

All equipment being returned to AMCI for repair or replacement, regardless of warranty status, must have a Return Merchandise Authorization number issued by AMCI. Call (860) 585-1254 with the model and serial numbers along with a description of the problem. A "RMA" number will be issued. Equipment must be shipped to AMCI with transportation charges prepaid. Title and risk of loss or damage remains with the customer until shipment is received by AMCI.

24 Hour Technical Support Number

Technical Support, in the form of documents, FAQs, and sample programs, is available from our website, www.amci.com. 24 Hour technical support is also available on this product. For technical support, call (860) 585-1254. Your call will be answered at the factory during regular business hours, Monday through Friday, 8AM - 5PM EST. During non-business hours, an automated system will ask you to leave a detailed message and the telephone number that you can be reached at. The system will page an engineer on call. Please have your product model number and a description of the problem ready before you call.

Table of Contents

Product Overview	1
Specifications	4
ME15 SSI Option.....	5
ME15 SSI Output Ordering Guide.....	9
ME15 Analog Output Option.....	10
Analog Voltage Output	12
Analog Current Output.....	12
ME15 Analog Output Ordering Guide.....	13
Mechanical Dimensions.....	14
Manual Revision History.....	15

SPECIFICATIONS**Mechanical**

Enclosure: Size 15 (1.5" dia) servo mount aluminum body;
Connections: 7-pin Connector or Cable style;
Shaft: 6mm or .25"
Max. Speed: 20,000 RPM;
Moment of Inertia: $1.75 * 10^{-5}$ oz-in-sec²
Starting Torque: 2 oz. in max @25° C (with standard shaft seal);
0.2 oz. in max @25° C (no shaft seal);

Shaft Loading: 10 lbs. radial/5 lbs. axial maximum shaft loading;
Bearing life: 2×10^9 revolutions minimum at maximum shaft load;

Electrical

Supply Voltage: 5 – 30VDC (+/- 5%) for SSI,
20 – 30VDC (+/- 5%) for Analog Output;
Over voltage and reverse polarity voltage protected;
Power up setting time: 20ms;

Environmental

Protection Rating: IP67
Operating Temperature: -40 to +85 deg C
Shock: 50G, 11ms duration
Vibration: 20G, 5-2000 Hz

**Output Versions Available**

- SSI
- ANALOG OUTPUT
 - Voltage Output: 0 – 5VDC or 0 – 10VDC;
 - Current Output: 0 – 20mA or 4 – 20mA;

ME15 SSI OPTION

Supply Voltage.....5 - 30VDC (+/- 5%)
 Power Consumption.....< 0.5W
 Measuring Range.....360°.
 Resolution/Code.....10 Bit / Binary
 Position Accuracy.....0.5°
 Linearity.....< 0.5%
 Repeat Accuracy.....< 0.1%

SSI Interface:

Clock Frequency.....100 KHz – 1 MHz
 Output Driver.....RS 485 (TIA/EIA Compliant)
 Short circuit proof outputs:.....Yes *

* Short circuit to 0V (DC Return) or to output, when supply voltage is correctly applied.

The M15 SSI device has two options of operation: **Standalone Option** or **Multiplexing Option**. When M15 works as Standalone SSI device, data is continuously read-out by simply applying SSI Clock signal with Enable line pulled low (i.e. tied to the DC Return). When M15 works as Multiplexing SSI device, Enable line determines whether particular M15's input/output driver is enabled (Enable Input low) or disabled (Enable Input high). Only one unit at the time is supposed to be enabled and all others disabled.

SSI Protocol

The serial data transmission timing is outlined in Figure 1: With the first falling edge of the clock (**CLK**) signal, data is latched into the output shift register. Each subsequent rising **CLK** edge shifts out one bit data.

The serial word contains 16 bits. The first 10 bits **D[9:0]** are the absolute angular position data (**MSB** is clocked out first). The subsequent 6 bits contain system information; about validity of data such as **OCF** (**Offset Compensation Finished**), **COF** (**Cordic Overflow**), **LIN** (**Linearity Alarm**), **Parity** and **Magnetic Field** status (increase / decrease / out of range) and they are used for diagnostic purposes only.

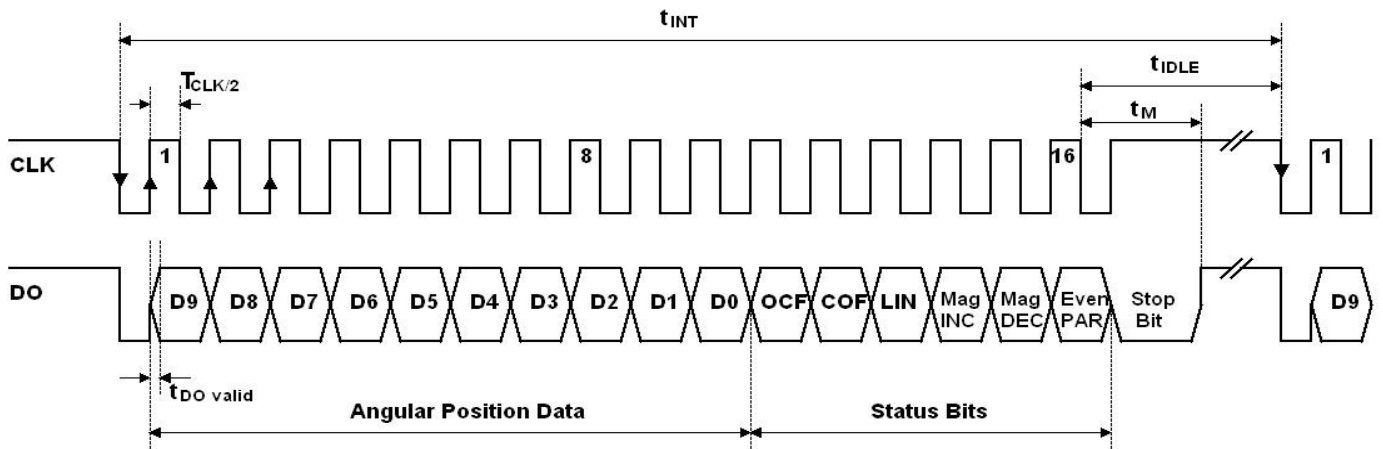


Figure 1: Synchronous serial interface with absolute angular position data

t_{INT} is the time of one interrogation.

t_M is the time that the Stop bit is valid, which is typically 15 – 20 μ s.

t_{IDL} is the time between the last pulse of **CLK** signal cycle and the first falling edge of the next **CLK** cycle.

$t_{DO\ valid}$ is time between rising edge of **CLK** and data output valid.

Optionally, if only absolute angular position data is needed, then SSI clock with 10 pulses could be used. Data transmission timing is outlined in Figure 2:

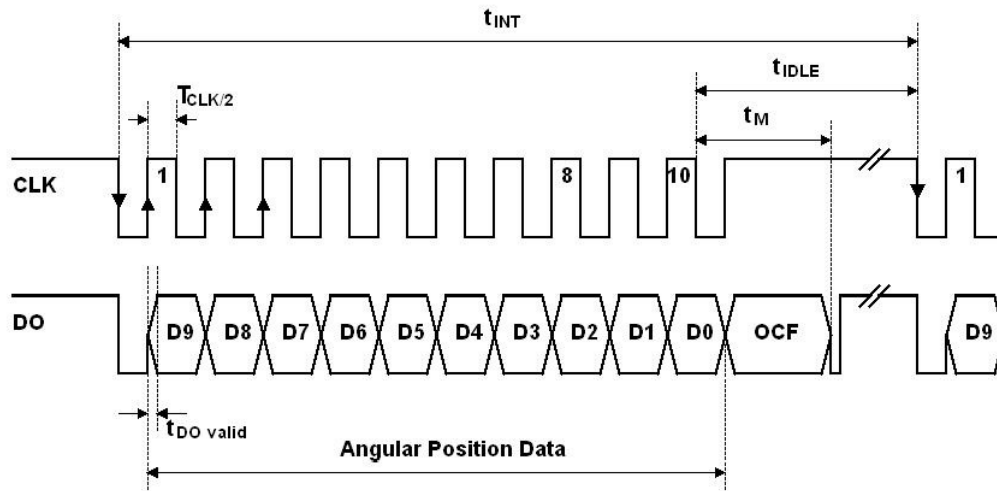


Figure 2

Multiplexing Option

When M15 SSI works as Multiplexing SSI device, all M15's Data (**DO**) and SSI Clock (**SSI CLK**) lines will be connected together and each device will have separate Enable (**ENn**) line as it is outlined in Figure 3. Maximum number of M15 SSI units connected is 32.

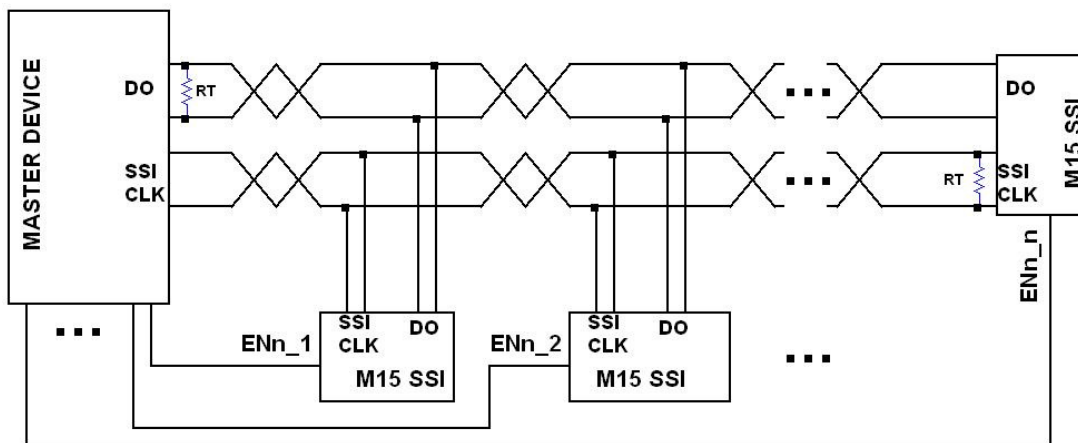


Figure 3

Enable lines have to be controlled in such way that only one M15 unit is enabled at time.

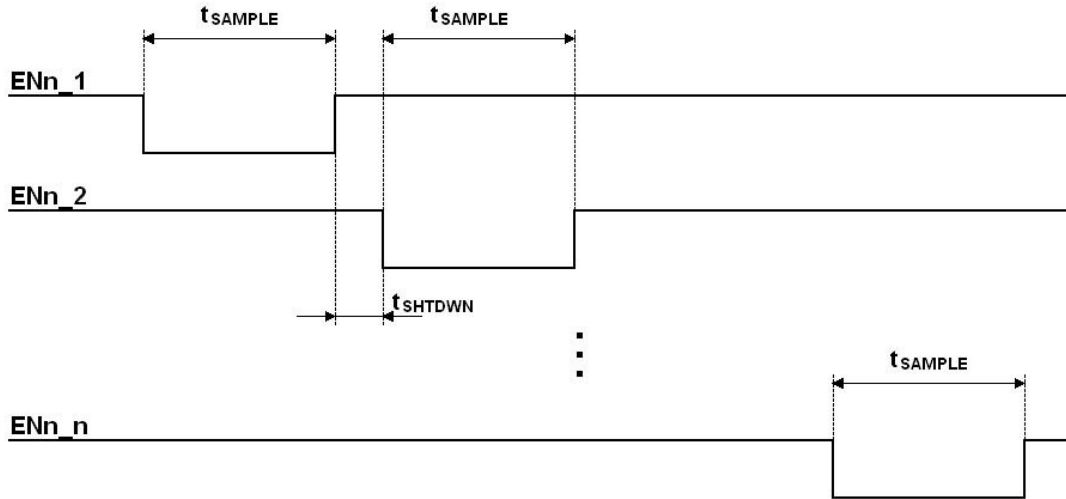


Figure 4: Timing for ENn lines

In a case that only one or a very few interrogations is needed during sampling time, then the ENn and CLK signal synchronization *is necessary* and is outlined in Figure 5:

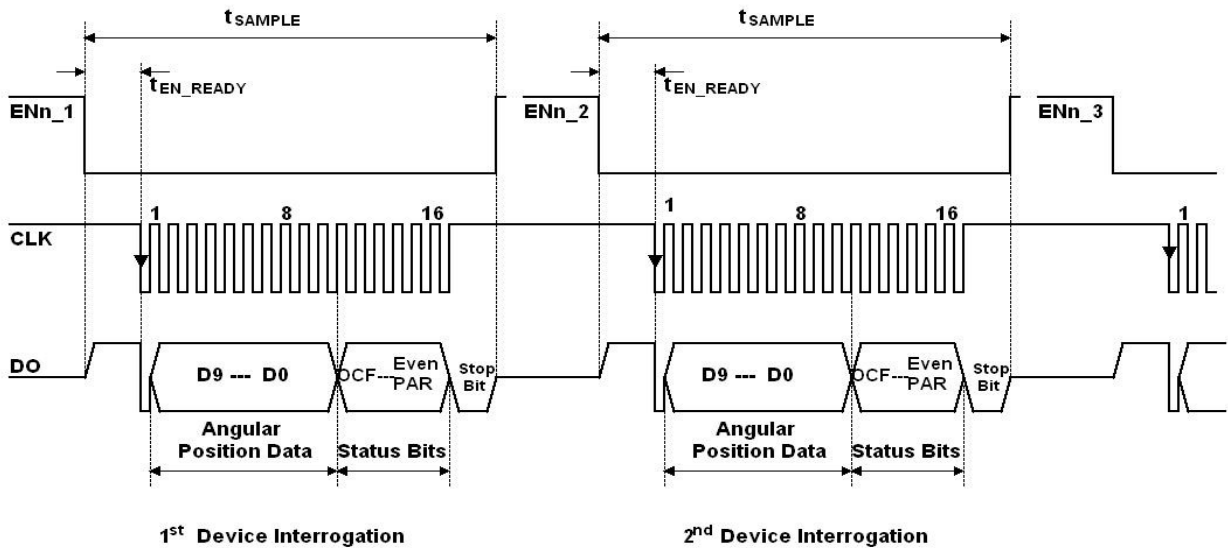


Figure 5: An example of one interrogation per sampling time

t_{SAMPLE} is the time for which the device is enabled and interrogated

t_{EN_READY} is the time between falling edge of ENn signal and the first falling edge of CLK signal.

ENn Voltage Range:

Enabled (Low) = 0 to 0.8VDC

Disabled (High) = 2 to 5VDC

Input Current: 10µA @5VDC for both High and Low states.

Timing Characteristics:

<i>Symbol</i>	<i>MIN</i>	<i>TYP</i>	<i>MAX</i>	<i>UNIT</i>
t_M		15 - 20		µs
t_{IDL}	50			µs
$t_{DO\ valid}$			375	ns
t_{EN_READY}	25			µs
t_{SHTDWN}	5			µs

SSI Option Cable / Pin Assignment

<i>Cable Style - Color</i>	<i>Connector Style - Pin</i>	<i>Signal</i>
Red	1	+DC Input
Black	2	DC Return
Green	3	+CLK
Brown	4	-CLK
Blue	5	+DO
Orange	6	-DO
White	7	ENn

Mating connector: (sold separately) AMCI #: MS-9; Binder #: 99 0426 00 08

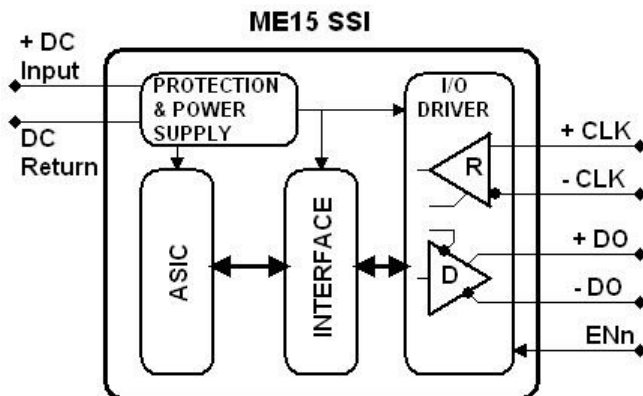
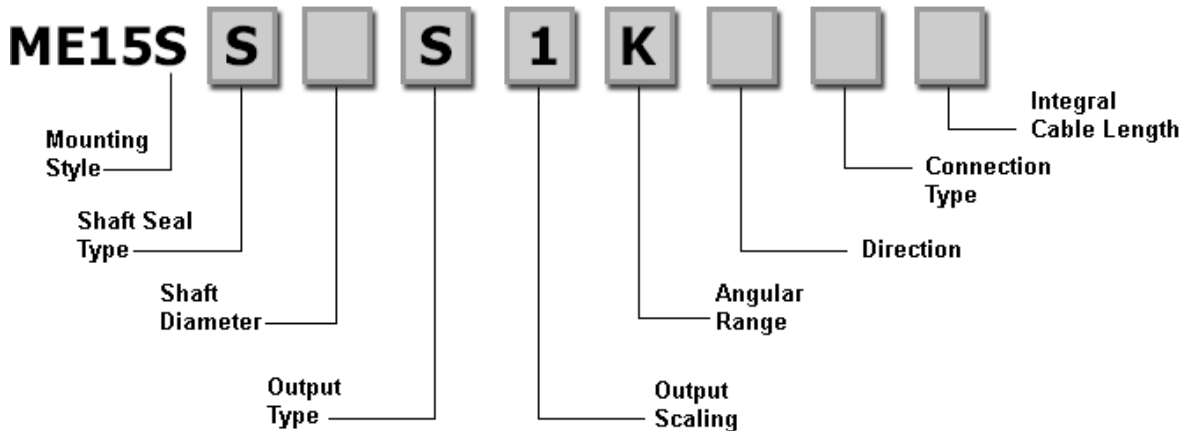


Figure 6: Block Diagram – SSI Output

AMCI ME15 Absolute SSI Rotary Shaft Encoder Ordering Guide



Part Number Character	Absolute SSI DuraCoder Selections	Readily Available Selections
Mounting Style:	S = 1.5" Shaft style servo mount	S Servo mount
Shaft Seal Type:	S = Shaft seal (IP67 rating)	S Shaft seal
Shaft Diameter:	2 = 1/4" 6 = 6mm	2 1/4" Shaft
Output Type:	S = SSI	S SSI
Output Scaling:	1 = binary	1 Binary
Angular Range:	K = 360° (This is the only option available on a ME15 with SSI output)	K 360°
Direction:	P = CW increasing looking at the shaft N = CCW increasing looking at the shaft	P CW increasing
Connection Type:	E = End Connect Mating Connector (MS-9 mating connector sold separately) FL = Integral Cable	E End connector
Integral Cable Length	Specify the length in feet Standard Lengths = 1.5', 3', 6', and 10' Blank if End Connector specified	1.5'

ME15 - ANALOG OUTPUT OPTION

Supply Voltage.....20 – 30VDC (+/- 5%)
 Power Consumption (No Load)...< 0.6W
 Measuring Range.....360°, 180°, 90°, 45°
 Resolution.....one part in 1024 voltage or current
 Position Accuracy..... 0.5° (360° measuring range)
 Linearity.....< 0.5% of output range
 Repeat Accuracy.....< 0.1% of output range

There are four different angular ranges available to be select (factory preset): 45°, 90°, 180°, and 360°. The analog output response is linear for the selected range. For 45° - and 90° - modes, the slope is mirrored at 180°. For the 180° - mode, it has a step response at 270°. This allows the ME15 to be used in a variety of applications. In these three modes, the output remains at its *max* and *min* values to avoid a sudden output change when the mechanical angle is rotated beyond the selected analog range. In 360° - mode, a jitter between *max* and *min* output value at the 360° point is prevented due to a hysteresis.

The following diagrams show the output waveforms for the four angular ranges of an encoder ordered with CW increasing output.

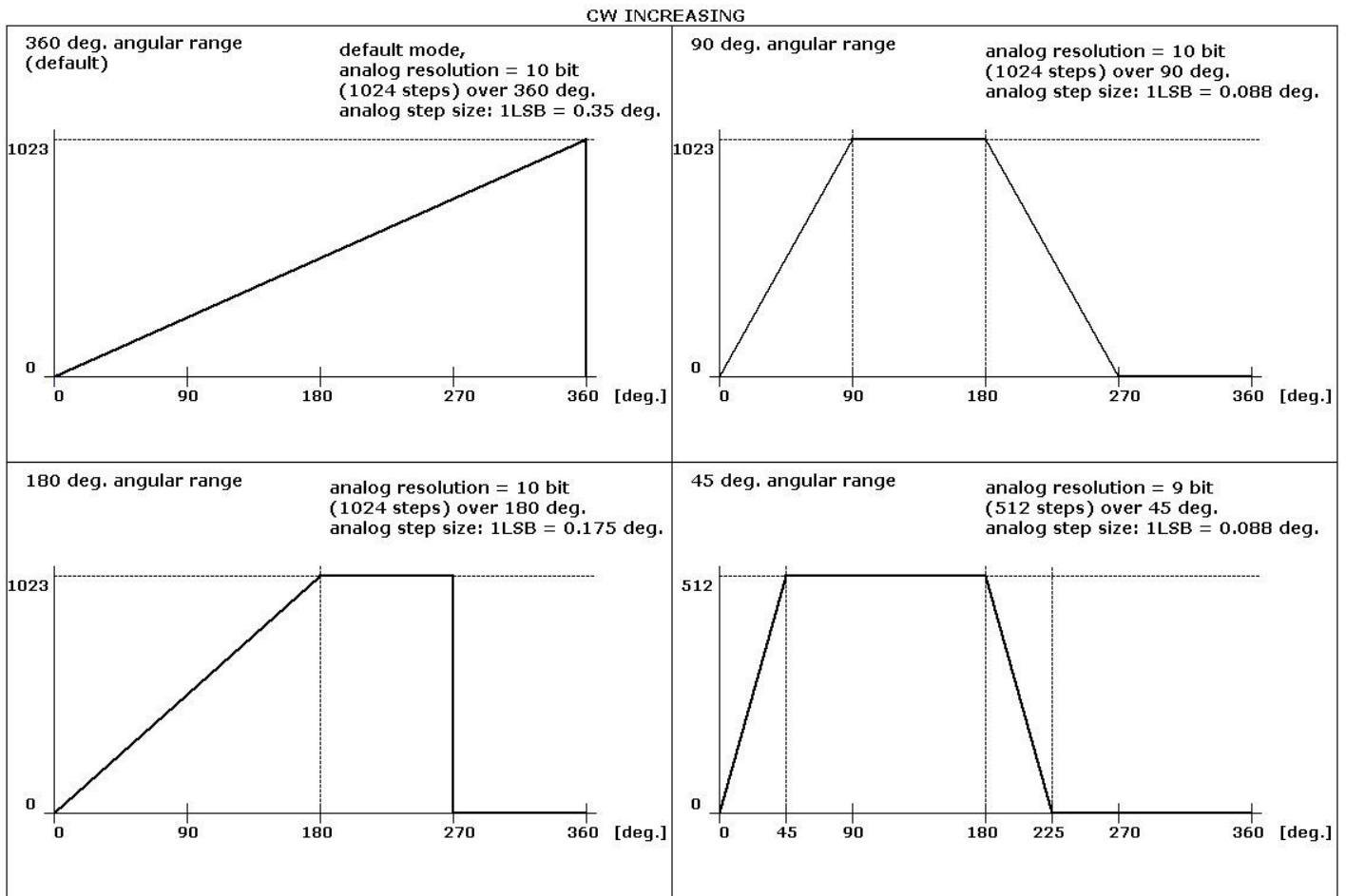


Figure 7: Angular Ranges with CW increasing

The following diagrams show the output waveforms for the four angular ranges of an encoder ordered with CCW increasing output.

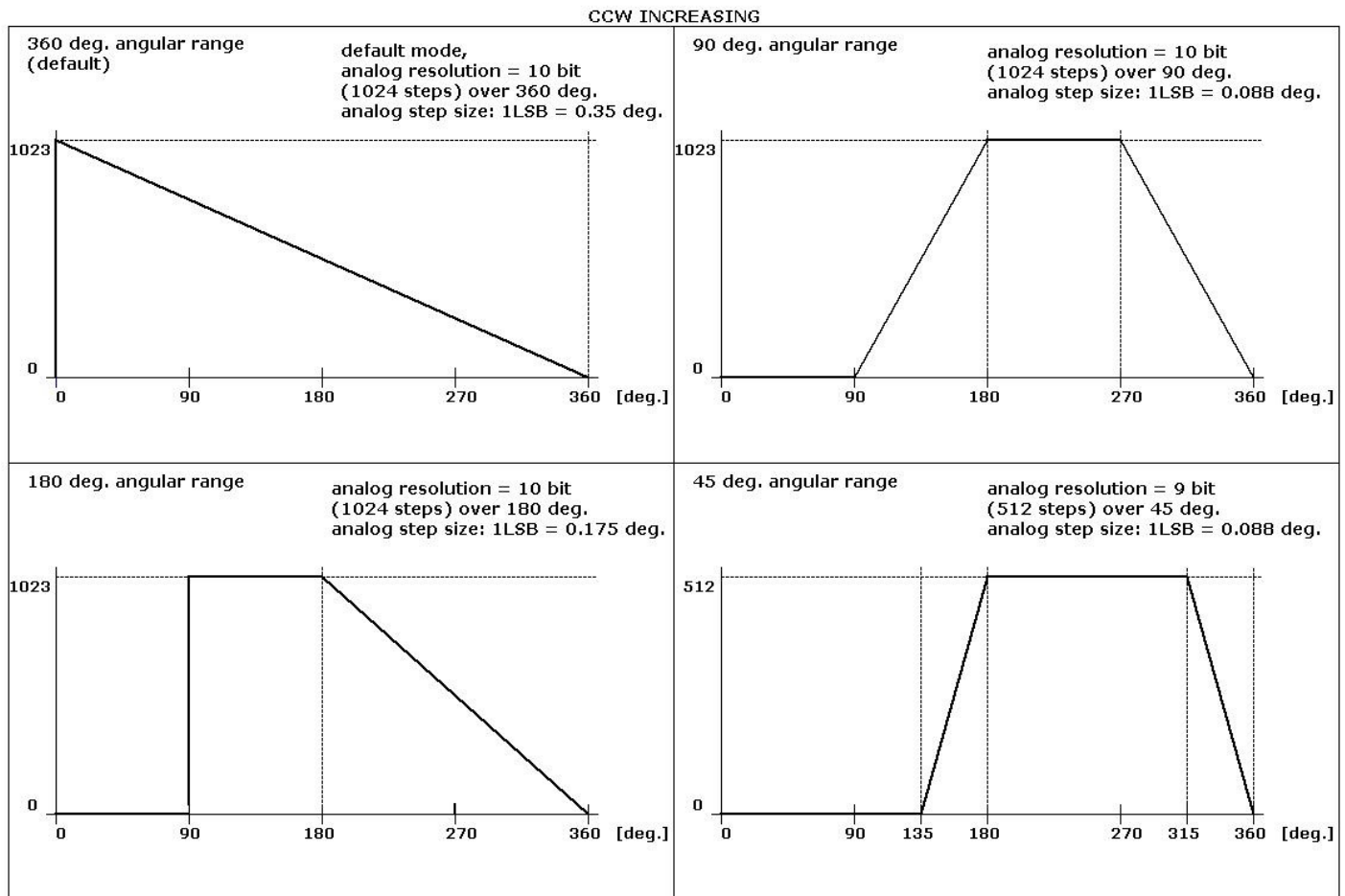


Figure 8: Angular Ranges with CCW increasing

The Analog output version of the ME15 can be ordered to output its minimum to maximum output over the four Angular Ranges listed above. However, the next minimum to maximum cycle always begins at the start of the next full turn.

Analog Voltage Output Specifications

0 – 5VDC Option

Current Consumption (No Load and 24VDC Power Supply).....25mA
 Current Output.....10mA **max.**
 Output Load.....500 Ohms **min.**

0 – 10VDC Option

Current Consumption (No Load and 24VDC Power Supply).....25mA
 Current Output.....10mA **max.**
 Output Load.....1KOhm **min.**

Analog Current Output Specifications

0 – 20mA Option

Current Consumption (No Load and 24VDC Power Supply).....35mA
 Output Load.....500Ohm **max.**

4 – 20mA Option

Current Consumption (No Load and 24VDC Power Supply).....35mA
 Output Load.....500Ohm **max.**

Cable / Pin Assignment:

<i>Cable Style - Color</i>	<i>Connector Style - Pin</i>	<i>Signal</i>
Red	1	+DC Input
Black	2	DC Return
Green	3	Analog Output
Brown	4	Analog Output Return
	5	N.C.
	6	N.C.
	7	N.C.

Mating connector: (sold separately) AMCI #: MS-9; Binder #: 99 0426 00 08

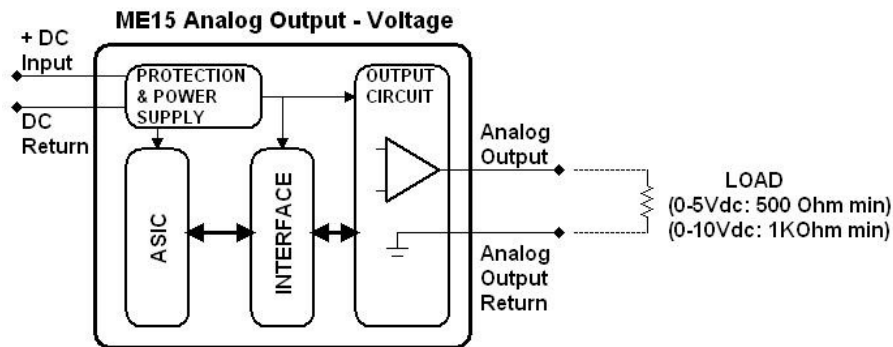


Figure 9: Block Diagram – Analog Voltage Output

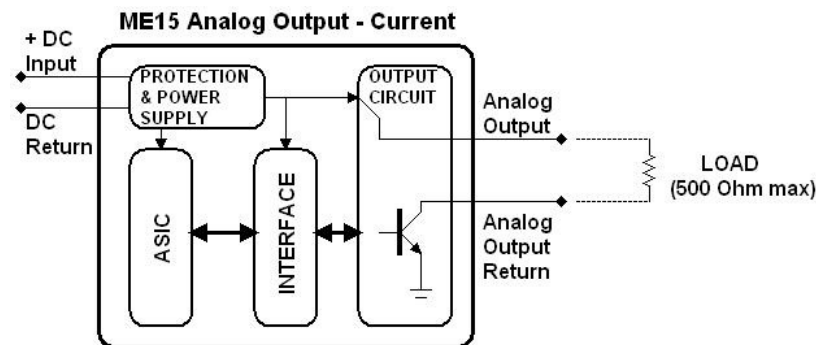
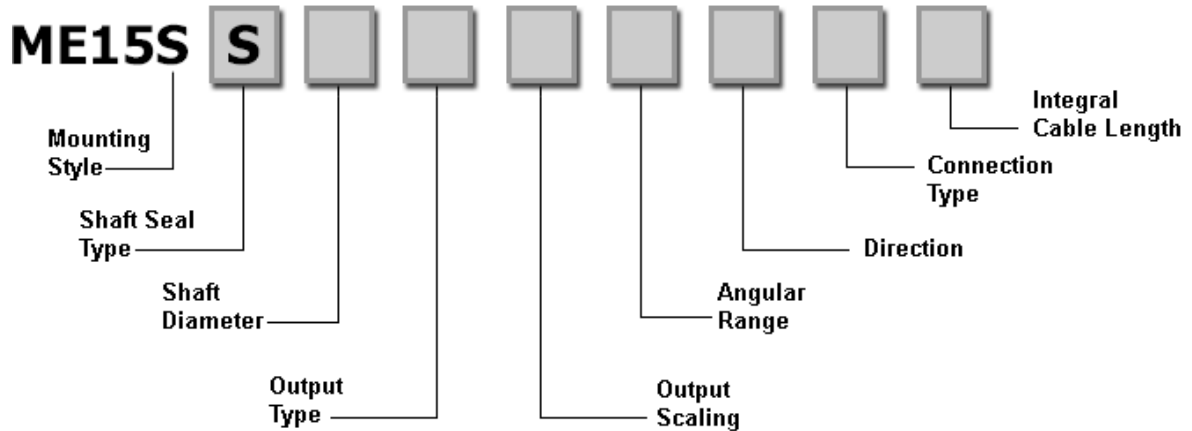


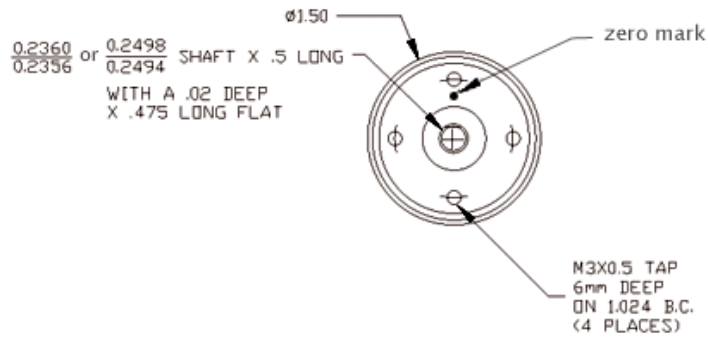
Figure 10: Block Diagram – Analog Current Output

AMCI ME15 Absolute Analog Rotary Shaft Encoder Ordering Guide

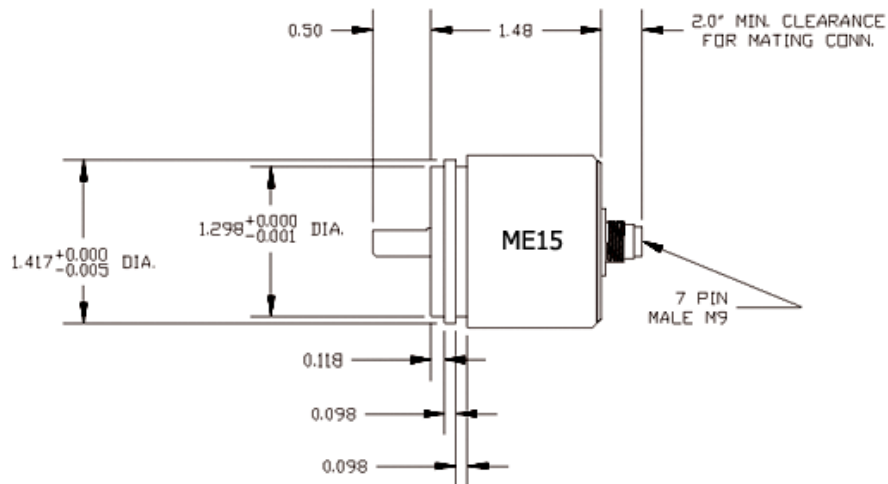
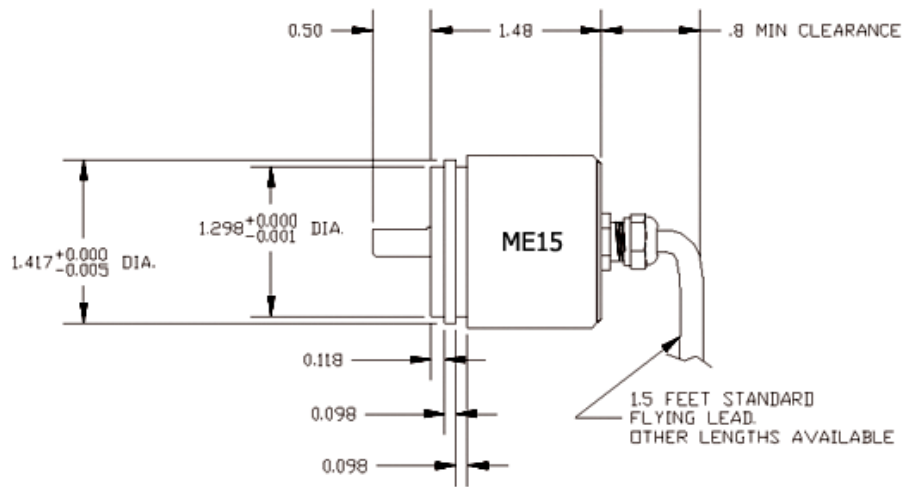


Part Number Character	Absolute Analog DuraCoder Selections	Readily Available Selections
Mounting Style:	S = 1.5" Shaft style servo mount	S Servo mount
Shaft Seal Type:	S = Shaft seal (IP67 rating)	S Shaft seal
Shaft Diameter:	2 = 1/4" 6 = 6mm	2 1/4" Shaft
Output Type:	V = Analog Voltage C = Analog Current	V Analog
Output Scaling:	If DuraCoder Type = V 1 = 0 to 5Vdc 2 = 0 to 10Vdc If DuraCoder Type = C 1 = 4 to 20mA 2 = 0 to 20mA	V 2 = 0 to 10V C 1 = 4 to 20mA
Angular Range:	K = 360° (This is the only option available on a ME15 with SSI output) L = 180° M = 90° N = 45°	K 360°
Direction:	P = CW increasing looking at the shaft N = CCW increasing looking at the shaft	P CW increasing
Connection Type:	E = End Connect Mating Connector (MS-9 mating connector sold separately) FL = Integral Cable with flying leads	E End connector
Integral Cable Length	Specify the length in feet Standard Lengths = 1.5', 3', 6', and 10' Blank if End Connector specified	1.5'

ME15 Mechanical Dimensions



ME15 Series Front View



ME15 Series Side View
Flying Lead or Connector Versions



Manual Revision History

Revision 0.0 was created 11/30/08 and was the initial release of the specifications.

Revision 1.0 was created on 1/30/09. Electrical Specifications revised.

Revision 1.1 was created on 4/29/09. Electrical Diagrams added.