

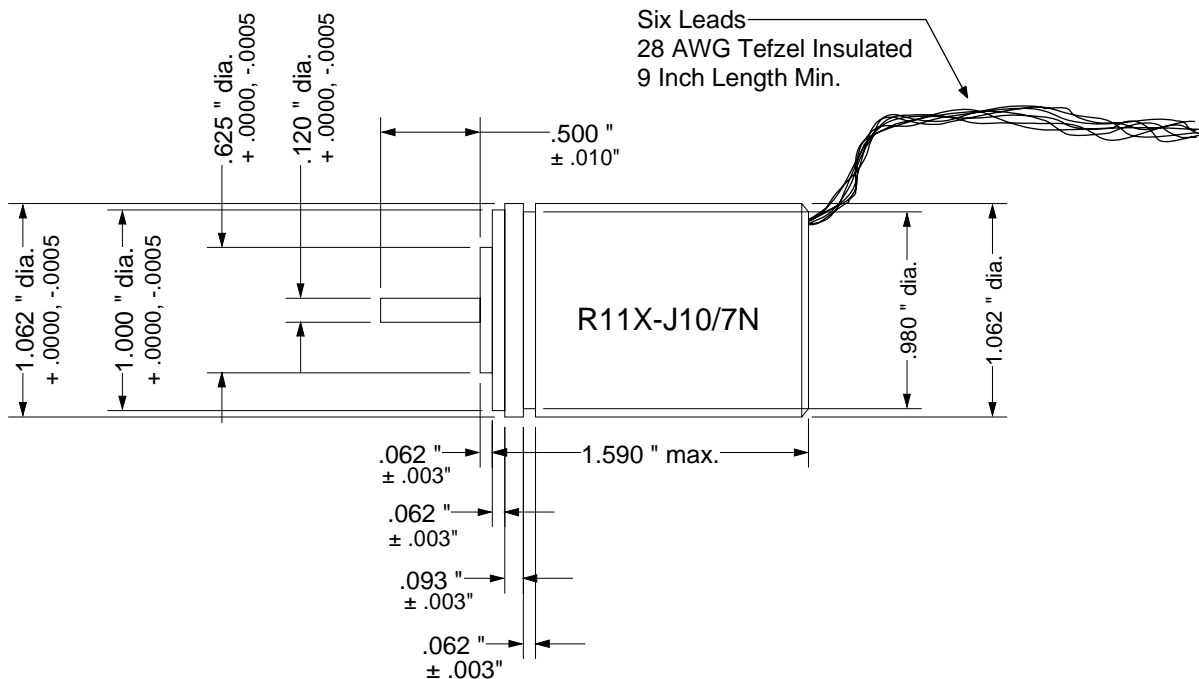
R11X-J10/7N Specification Sheet

SHEET # 940-2T341

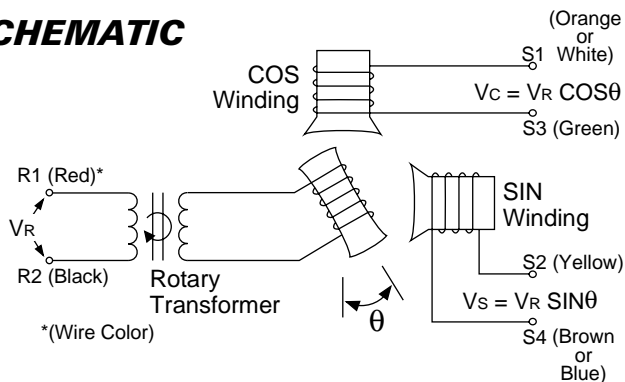
DESCRIPTION

All of AMCI's resolvers are ratiometric, absolute position sensors that reliably operate in harsh environments. The R11X-J10/7N brushless resolver can be used in a wide variety of space critical applications where environmental sealing is not needed. Used in our standard resolver based transducers, the R11X-J10/7N is compatible with all AMCI modules and controllers. The resolver comes with 9 inch leads that have Tefzel insulation for radiation applications.

DIMENSIONAL DRAWING



SCHEMATIC



SPECIFICATIONS

- Input Voltage: 7.0 V
- Input Freq: 5000 Hz
- Primary: Rotor
- Input Current: 17.0 mA Max.
- Output Voltage: 6.65 V Nom.
- Trans. Ratio: $0.95 \pm 5\%$
- Accuracy: 7 min. (max. error)
- NEMA Rating: NEMA 1
- Wire Insulation: Tefzil