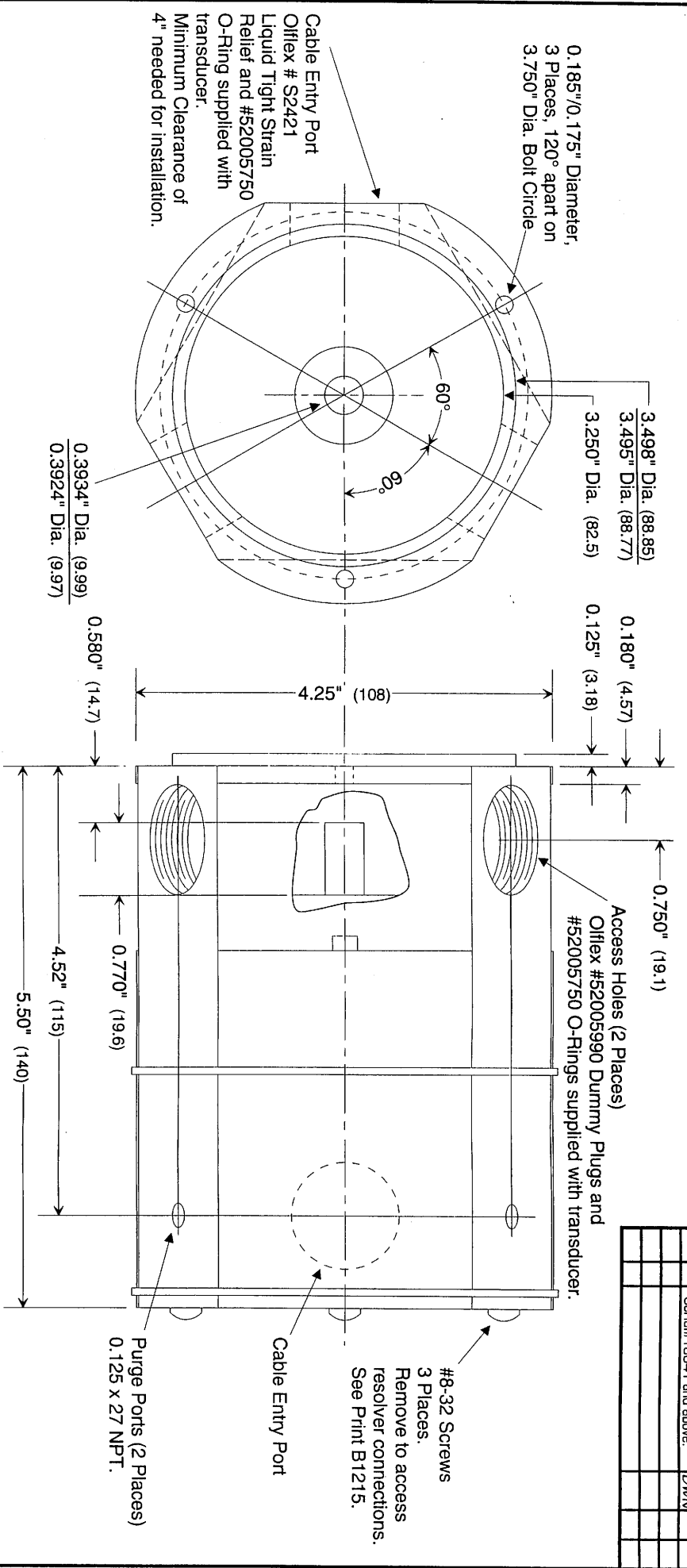


DATE	SYMBOL	REVISION RECORD	AUTH	DR	CK
1/94	A	Added Purge Ports			
		Serial# 13041 and above.	DWN		



**MECHANICAL SPECIFICATIONS**

Max. Starting Torque @ 25°C ..... 1.5 oz.in.  
 Moment of Inertia ..... 4 oz-in-sec<sup>2</sup>  
 Max. Shaft Loading:  
 Radial ..... 40 lbs.  
 Axial ..... 20 lbs.  
 Weight ..... 4 lbs.

**ENVIRONMENTAL SPECIFICATIONS**

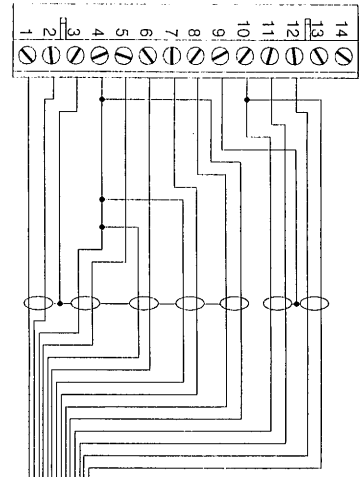
Operating Temperature ..... -20 to 125°C  
 Shock ..... 50 Gs for 11 mSec.  
 Vibration ..... 5 to 2000 Hz @ 20 Gs  
 Nema Rating ..... Nema 13

( ) = Dimensions in millimeters

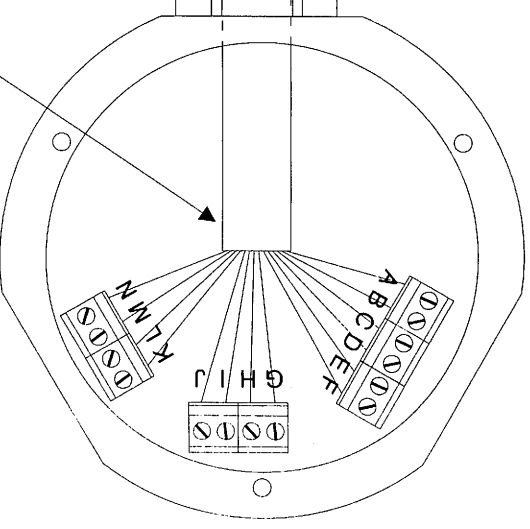
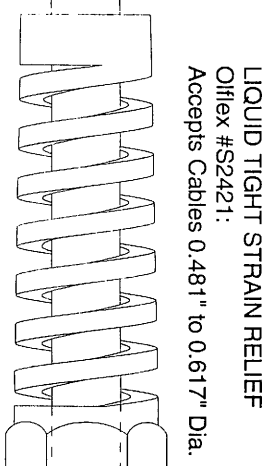
TOLERANCES (EXCEPT AS NOTED)		<b>AVC</b> ADVANCED MICRO CONTROLS INC.	
DECIMAL	HMT-425M	SCALE	DRAWN BY DWN
FRACTIONAL		1:1	APPROVED BY [Signature]
ANGULAR		DATE	DRAWING NUMBER
		1/20/93	B1214 REV. A
		OUTLINE DRAWING	

**MODULE CONNECTOR**

Mates with:  
 1763 Resolver Interface Module  
 AMCI Part #: MS-14  
 Phoenix #: MSTB 1.5/14-ST-5.08



**TRANSDUCER CABLE**  
 Belden 9732 or  
 Belden 89732 (150° C)



DO NOT Connect Cable shields to HMT-425M housing. Cut off foil shields and drain wires inside cable jacket.

9732 Wire:(Pair)	89732 Wire / Stripe	HMT-425M Terminal	MS-14 Wire / Shield	9732 Wire:(Pair)	89732 Wire / Stripe	HMT-425M Terminal	MS-14 Wire / Shield
BLK: (Red/Blk)	White / Blue	A	1 3	BRN: (Brn/Blk)	Blue / Red	K	12 9
RED: (Red/Blk)	Blue / White	B	2 3	BLK: (Brn/Blk)	Red / Blue	L	10 9
BLU: (Blu/Blk)	Brown / White	C	4 3	ORN: (Orn/Blk)	Orange / Red	M	11 9
BLK: (Blu/Blk)	White / Brown	D	6 3	BLK: (Orn/Blk)	Red / Orange	N	10 9
YEL: (Yel/Blk)	Gray / White	E	5 3	RED: (Wht/Red)	Red / Green	NOT USED*	
BLK: (Yel/Blk)	White / Gray	F	4 3	WHT: (Wht/Red)	Green / Red	NOT USED*	
GRN: (Gm/Blk)	Green / White	G	8 3	RED: (Gm/Red)	Red / Brown	NOT USED*	
BLK: (Gm/Blk)	White / Green	H	4 3	GRN: (Gm/Red)	Brown / Red	NOT USED*	
WHT: (Wht/Blk)	Orange / White	I	7 3				
BLK: (Wht/Blk)	White / Orange	J	4 3				

\* Unused pairs must be cut off inside the cable jacket and isolated from the other pairs.  
 Connections shown for clockwise increasing readings. (Looking at shaft) For counter-clockwise increasing readings, reverse the following HMT-425M Connections: C & D, G & H, K & L.

DATE/SYM	REVISION RECORD	AUTH	DR	CK

TOLERANCES (EXCEPT AS NOTED)

**AMCI ADVANCED MICRO CONTROLS INC.**

CMTW - (X)

SCALE

DRAWN BY: DWJ

APPROVED BY: DJS

TITLE: TRANSDUCER CABLE DRW.

DATE: 1/24/93

DRAWING NUMBER: B1216